



COMPANY PROFILE  
**TANAGI**  
**SURYA**  
**JAYA**

# ABOUT US

---

## PT Tanagi Suryajaya

is a company engaged in the field of telecommunications, structure and Electrical which was developed from CV Seliya Solusindo which has been in business since 2010.

We also have special expertise in the field of Structural & Telecommunications, Electrical. We are fully dedicated to becoming a company that is oriented towards quality work with energetic resources.



# OUR VISION

---

To become a superior company that is trusted and increasingly grows together

# OUR MISION

---

Realizing customer satisfaction with quality service products with excellence in innovation, management systems and human resources

# BUSINESS FIELDS

---



Telecommunication  
Struktural  
Electrical



Planning,  
Development,  
Maintenance  
and Repair.



Human  
Resources



# Scope

---

## Procurement and Installation

- DC Power System (Rectifier, Charger & Battery)
- AC System (Genset, ATS, Panel Control)
- Panel Metal (Cabinet outdoor, Indoor, ACPDB, DCPDB Panel)
- Mekanikal Struktur (PJU, Antenna Mounting, Struktur Support)
- Solar Cell system (PV Panel, PJU Solar Cell, Solar Home System)
- Mechanical and Electrical Building

## Services

- Building Maintenance and Repair
- Shipping and Installation of Telecommunications Devices

## Software & Engineering

- Device monitoring system
- Car modification for Telecommunications, Food Truck, Ambulance and ATM)

## Our Costumer

---





# Custom VSAT Cars & Custom Shelters for Telecommunication end user Indonesian Navy Headquarters





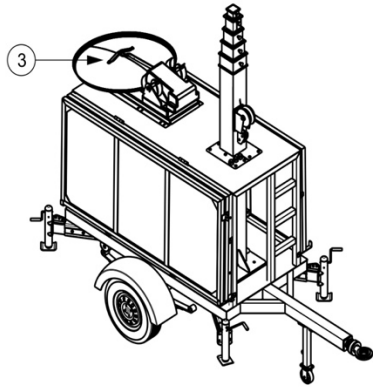
# Satellite News Gathering Mobile



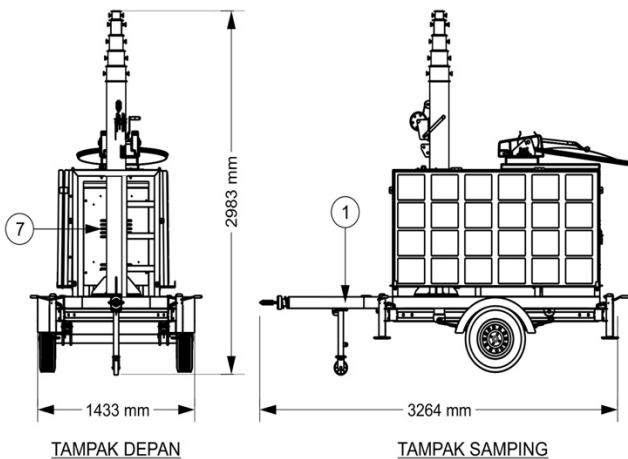
# Mobile Clinic



# Mobile Internet

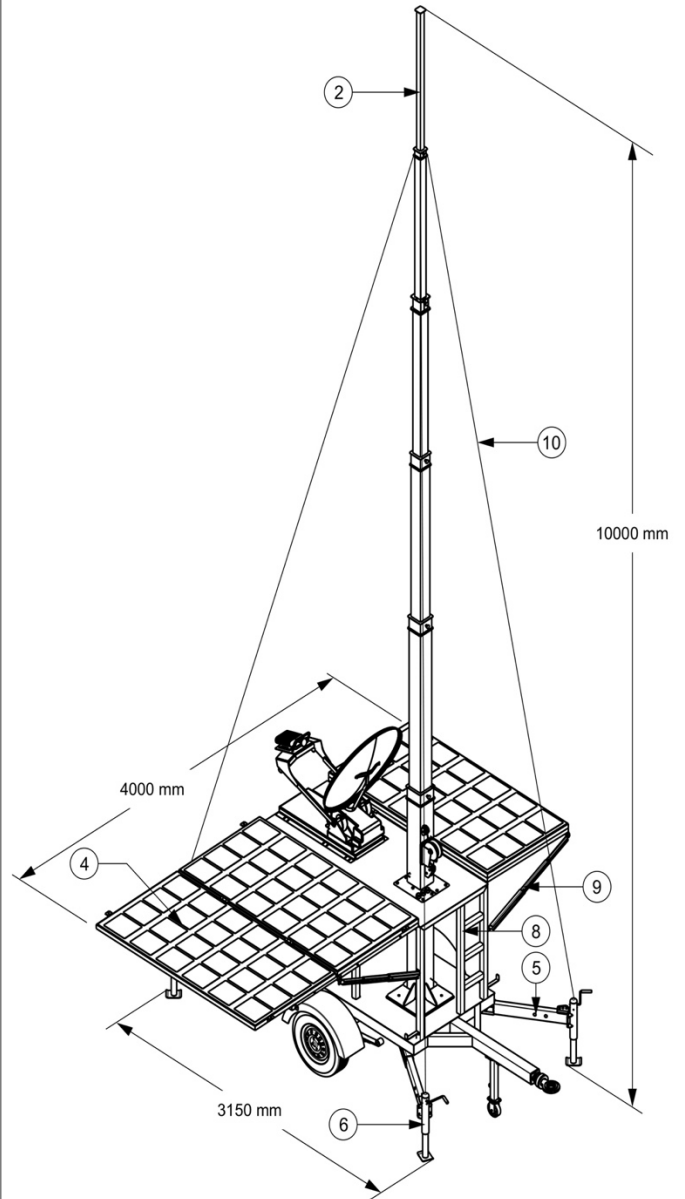


TAMPAK ISOMETRI



TAMPAK DEPAN

TAMPAK SAMPING



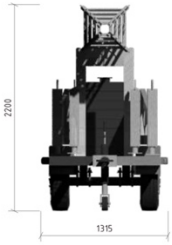
TAMPAK OPERASIONAL UNIT

## CATATAN / KETERANGAN

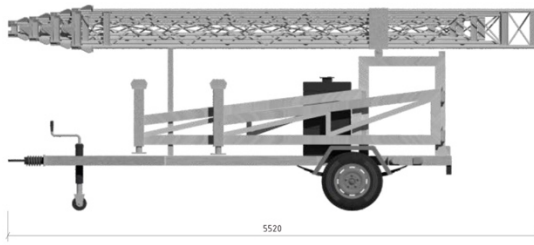
1. TRAILER SINGLE AXLE
2. TOWER MANUAL TELESKOPIK 10M
3. V-SAT
4. SOLAR PANEL
5. OUTRIGGER
6. MANUAL JACK
7. CABINET
8. TANGGA
9. RANGKA LIPAT SOLAR PANEL
10. GUY WIRE



# TELESCOPIC TOWER TRAILER



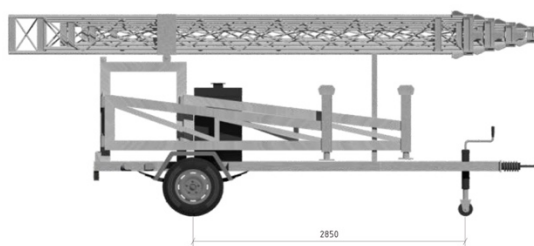
TAMPAK DEPAN



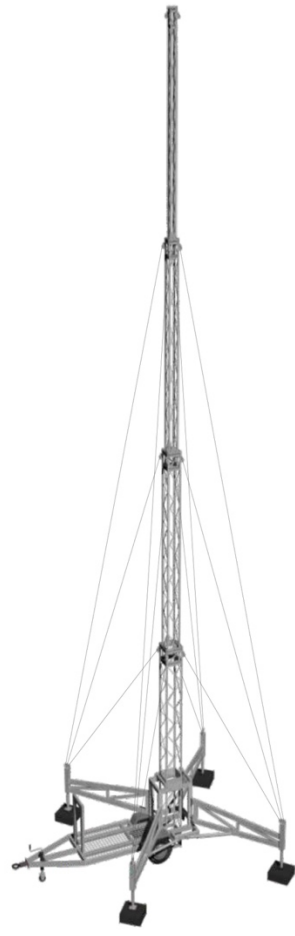
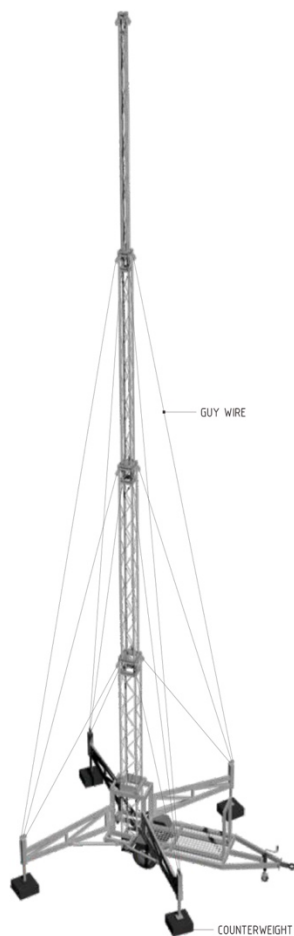
TAMPAK SAMPING KIRI



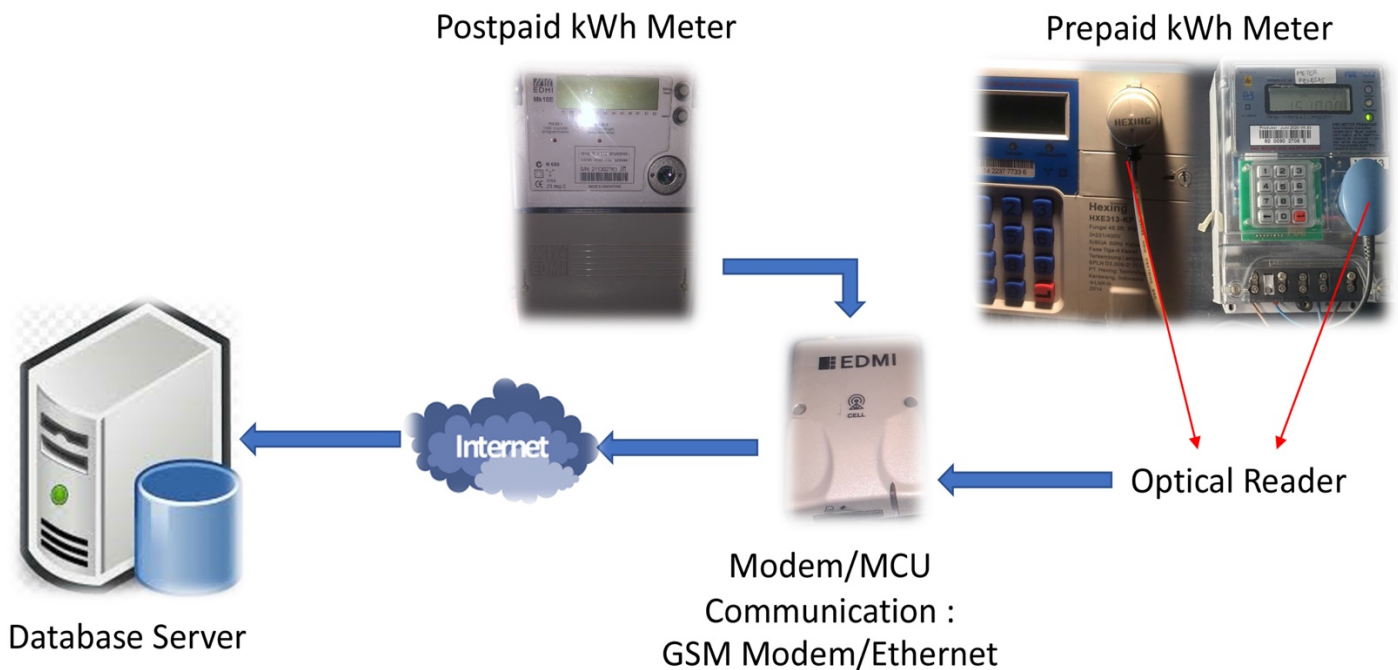
TAMPAK BELAKANG



TAMPAK SAMPING KANAN



# EMtS [Energy Metering Solution]



## Benefits

No need to check electricity usage to site

Early warning of low balance

Online recharge token by sending token number to the meter of kWh on site

Reliability information of power usage

Reduce operational expenses

Easy and handy to control of your power connection



# Tanos (Tanagi Monitoring System)



## User-Friendly

- Embedded ethernet port
- Graphical user interface (GUI)
- Can accessed from all platform (Windows, Linux, Android, Mac, IOS)

## Decrease Operating Costs

Tanos designed and has proved to cut operating costs and increase company revenues with all features that it has such as remote monitoring for equipment performance and environmental parameters, power controlling and data logging. Tanos very helpful at site maintenance for :

- Reduce travel expense
- Analyze site condition
- Get data log from power equipment and environmental parameters
- Increase maintenance efficiency
- Control relay for contacting start/stop genset
- Support Morningstar Tristar MPPT and outback mate 3
- SNMP communication
- Detect tank fuel level for genset with maximum 2.5 meter depth
- Storage data logger for 3 month
- Sensor voltage analog up to 150VDC (contact us for higher voltage)
- Sensor current analog up to 100A (contact us for higher voltage)
- Sensor voltage analog AC 220/380 VAC
- Using MQTT protocol for sending data to server

## Tanos Features

Tanos has many features, there are :

- Support LG, Birubatt, Murata battery system
- Support eaton, exicom, dpc rectifier controller





# Office : Ruko Grand Galaxy City Blok RRG 8 No. 16  
Pekayon Jaya Bekasi Selatan

# Workshop : Puri Indah Lestari Ruko Blok A2 No. 5  
Desa Batujajar Barat Kec. Batujajar  
Kabupaten Bandung Barat

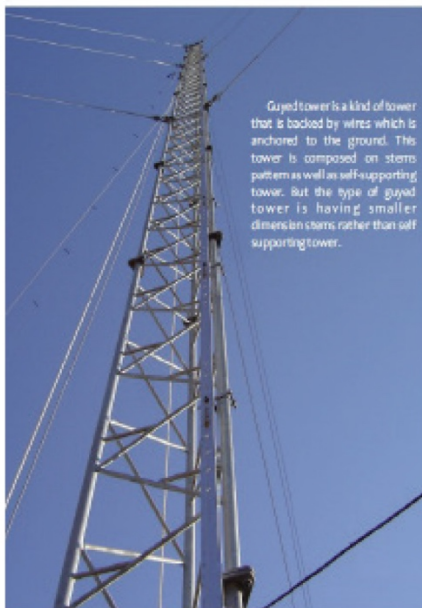
### SST - SELF SUPPORTING TOWER



Self Supporting Tower ( SST ) has stem pattern tower which is compiled and connected to form a self supporting frame without any other subvention.

Self Supporting tower (SST) is a conventional one in a form of tower frame which is designed with the strong frame, able to hold the wind pressure and geographic condition at the area where the tower will be built. This tower is built on the ground (Greenfield).

### GUYED MAST TOWER



Guyed tower is a kind of tower that is backed by wires which is anchored to the ground. This tower is composed of stems pattern as well as self-supporting tower. But the type of guyed tower is having smaller dimension stems rather than self supporting tower.

### MONOPOLE TOWER



Monopole Tower is a kind of tower that consists of one stem or one pole anchored to the ground. According to its cross section, Monopole Tower is divided into two types:

Circle-pole is a kind of monopole having a cross section/pole diameter similar from bottom to top.

Tapered-pole is a kind of monopole having a varied cross-section diameter due that when the load diameter is more up will be smaller.

The height of Guyed Tower and Monopole are usually lower than the tower transmitter type of self-supporting tower and designed to derive the lighter load from the kind of transmitter tower self-supporting so that these two kind of towers will not be able to derive heavy load as the antenna which have dimension and heavy large.







Indratanagi@gmail.com



Indratanagi@gmail.com



Indratanagi@gmail.com



Indratanagi@gmail.com

**LAMPU AIO 300W EKONOMIS**



Solar Panels: Polycrystalline 10V45W  
 Battery: Lithium iron phosphate battery 6.4V 40000mah  
 Patch Balls: 243 Balls of Changfang Brand  
 Material: Aluminum Alloy  
 Waterproof Grade: IP65  
 Charging Time: 4-6H  
 Lighting Time: 18-20 hours of Sustainable Lighting  
 Control Mode: Remote Control, Light Control, Human Body Induction  
 Packing Number: 1 set/box  
 Box Size: 38x11x15cm  
 Lamp Body Size: 100x32cm  
 Arm Rod Size: 60mm diameter, 120mm bottom height, 600mm length  
 Whole box weight: 8.54kg  
 Suggested installation height: 6 meters  
 Installation Method: wall mounting and arm mounting are available (quotation does not include arm rod, can be matched separately)  
 Product Standard: Lamp head 1 + Casing 1 + Screw 1 + Remote Controller 1

**Integrated Solar Street Light  
ALL IN ONE 40W**

LED Power	40watt 12vdc
LED chip	90pcs Philips SMD3030
Lumens	4800-5200lm
Viewing Angle	120 degree
CCT	6000k
Solar Panel	High Efficiency MonoCrystalline
Max Power (18v)	70W
Life Time	25 years
Battery Type	Lithium ION 12.6v
Capacity	26AH
Life Time	4 - 5 years
Charger Time by Sun	6 - 8 hours
Full Power Mode	10 - 12 hours
Working Temperature	30- 50 degree
Sensor	Microwave Sensor & Dimmer
Mounting Height	5 - 8 meters
Space Between Light	15- 25 meters
Main Material	Aluminium Alloy IP65
Size Product	106cmx30cmx34mm



Indratanagi@gmail.com



Indratanagi@gmail.com



Indratanagi@gmail.com



pos sepan badak  
0,987, 111,00249, 231,7m, 282°  
16 Feb 2020 09:29:50



Pos Gunung Anggas.  
1,28282, 110,00334, 247,0ft, 24°  
8 Feb 2020 17:32:23





Jl. Melati I No.18, Pulosari, Kureksari, Kec. Waru, Kabupaten Sidoarjo, Jawa Timur 61256, Indonesia

Latitude  $-7.354716^{\circ}$  Longitude  $112.739336^{\circ}$

LOCAL 16:30:09 GMT 09:30:09 THURSDAY 07.14.2022 ALTITUDE 37 METER



Jl. Melati I No.21, Pulosari, Kureksari, Kec. Waru, Kabupaten Sidoarjo, Jawa Timur 61256, Indonesia

Latitude  $-7.354925^{\circ}$  Longitude  $112.739355^{\circ}$

LOCAL 10:26:16 GMT 03:26:16 FRIDAY 07.15.2022 ALTITUDE 35 METER



Jl. Melati I No.21, Pulosari, Kureksari, Kec. Waru, Kabupaten Sidoarjo, Jawa Timur 61256, Indonesia

Latitude  $-7.354931^{\circ}$  Longitude  $112.739277^{\circ}$

LOCAL 10:25:01 GMT 03:25:01 FRIDAY 07.15.2022 ALTITUDE 35 METER



WH PT Tanagi Surya Jaya  
Jl. Industri Iy, Indonesia  
-6.906857,+107.551116  
26 Sep 2022 08.01.21



24 Des 2022 09.27.11  
6.88479161S 107.53398283E  
47° NE  
Jawa Barat  
PLTS 54kWp RS Dustira



# Office : Ruko Grand Galaxy City Blok RRG 8 No. 16  
Pekayon Jaya Bekasi Selatan

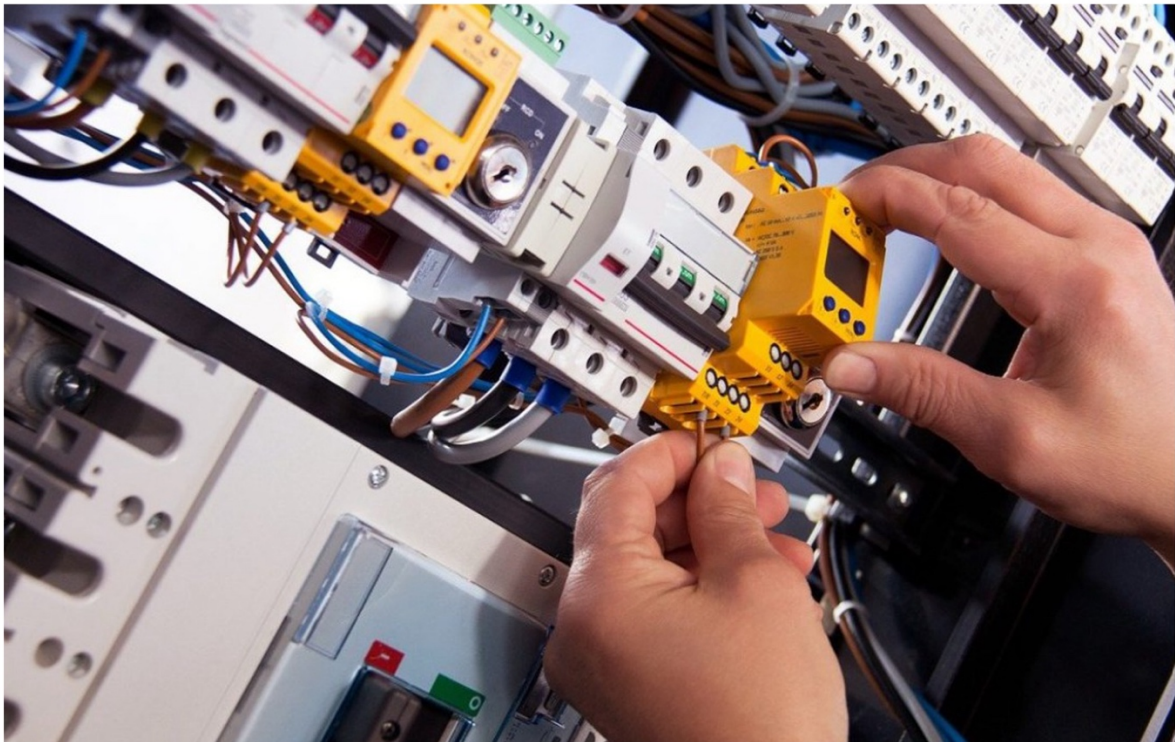
# Workshop : Puri Indah Lestari Ruko Blok A2 No. 5  
Desa Batujajar Barat Kec. Batujajar  
Kabupaten Bandung Barat





# Office : Ruko Grand Galaxy City Blok RRG 8 No. 16  
Pekayon Jaya Bekasi Selatan

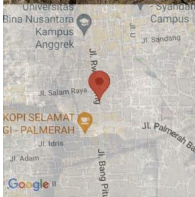
# Workshop : Puri Indah Lestari Ruko Blok A2 No. 5  
Desa Batujajar Barat Kec. Batujajar  
Kabupaten Bandung Barat



# Office : Ruko Grand Galaxy City Blok RRG 8 No. 16  
Pekayon Jaya Bekasi Selatan

# Workshop : Puri Indah Lestari Ruko Blok A2 No. 5  
Desa Batujajar Barat Kec. Batujajar  
Kabupaten Bandung Barat





20 Nov 2024 02:24:41  
 6,20546S 106,78302E  
 16 3 15 Jalan Rawa Belong  
 Kecamatan Palmerah  
 Kota Jakarta Barat  
 Daerah Khusus Ibukota Jakarta



Selasa, 22 Oktober 2024 09:40:53  
 7,42257S 112,72128E  
 346° N  
 118 Jalan Industri  
 Kecamatan Buduran, Kabupaten Sidoarjo 61252  
 Indonesia  
 Altitude:62.3m  
 Speed:0.0km/h  
 Project penarikan ADSS LS  
 PLN UIP2B JAMALI  
 TEAM WALI LINK GI SIDOARJO - GI BUDURAN  
 PENARIKAN FA  
 PLN ICON+  
 Index number: 2139



Minggu, 08 Desember 2024 01:59:06  
 6°12'21,306"S 106°46'59,13"E  
 No. 12 Jalan Rawa Belong  
 Kecamatan Palmerah  
 Kota Jakarta Barat  
 Daerah Khusus Ibukota Jakarta



3 November 2024  
 Kabupaten Sidoarjo  
 Pekerjaan Penarikan Kabel ADSS  
 Long Span Jawa Timur PLN UIP2B JAMALI  
 Link Gi buduran - Gi Sidoarjo  
 Close briefing

# PROJECT REFERENCE

## PT TANAGI SURYA JAYA

No	Tahun	Customer	Nama Project	End User	Jenis Material/Jasa	Qty	Satuan
1	2018	PT Andowa Natha Wisastra	Pengadaan Mobil Vsat	Diskomlekal TNI AL	Custom Karoseri Mobil Isuzu Giga, Interior, Eksterior, AC, Genset, & Telescopic Tower, Test & Commissioning	2	Unit
2	2018	PT Andowa Natha Wisastra	Pengadaan Power System Mobil Vsat	Diskomlekal TNI AL	Rectifier, Inverter, Battery, Rack & System Wiring, Interkoneksi to Road	2	Set
3	2018	PT Global Elektronik Solusi	Pengadaan dan Pemasangan Genset 45 KVA & Penyambungan, PLN Pos Jaga Cariu	Diskomlekal TNI AL	Genset 45 KVA, Tangki Bahan Bakar, Panel Distribusi, Kabel Tray, Test & Commissioning, Perizinan Sambungan PLN	1	Lot
4	2019	PT Indo Electric	Pengadaan PV Support PLTS 270kwp Site	PLN Regional NTT	Tiang PV Support Galvanized untuk Solar Panel, Include Angkur	1	Lot
5	2019	PT Bangkit Cipta Persada	Pengadaan Battery Backup 12V 100AH	Telkomsel	Battery VRLA 12V 100AH	36	Blok
6	2019	PT Cerdas Gemilang Internasional	Pengadaan Cabinet RBS	Telkomsel	Cabinet Outdoor RBS untuk BTS Ericson	43	Unit
7	2019	PT Nirwana	Pengadaan Container Telekomunikasi	Diskomlekal TNI AL	Modifikasi Container 20ft, Interior, Eksterior AC, Rack Kerja, Tower Panematic & Tower Telescopic, Include Anhang	4	Unit
8	2019	PT LEN	Pengadaan PLTS Pos Jaga TNI	ESDM EBTKE	Tiang PV Support Galvanized untuk Solar Panel, Include 5kwp	33	Set
9	2019	PT Khaimar Indo Freight	Instalasi PLTS Pos Jaga TNI 10 KwP Kalimantan Area	LEN - ESDM EBTKE	Pondasi, Sipil, Instalasi PV Support, Solar Cell, Battery, Charge Controller, Integrasi Tes & Commissioning	10	Site
10	2020	PT Cerdas Gemilang Internasional	Pengadaan Cabinet RBS	Telkomcel	Cabinet Outdoor RBS untuk BTS Ericson	20	Unit
11	2021	PT Indo Electric	Pengadaan SNMP	Kominfo	SNMP Offgrid	230	Unit
12	2021	PT Indo Electric	Pengadaan Sensor Device	Kominfo	Sensor Device	549	Unit
13	2021	PT Infrastruktur Bisnis Sejahtera	Pengadaan Cable Tray	Kominfo	Cable Tray HDG Type U & Accessories	400	Set
14	2021	PT Infrastruktur Bisnis Sejahtera	Pengadaan Harmonica Fence	Kominfo	Fence & Landscaping Harmonica 15 x 15	60	Set
15	2022	PT Bintang Komunikasi Utama	Pengadaan Combiner Box	Kominfo	Combiner Box PLTS	383	Set
16	2022	PT Bintang Komunikasi Utama	Pengadaan PV Support	Kominfo	PV Support 18 Module	383	Set
17	2022	Koperasi Usaha Sejahtera Optimis	Pengadaan Mounting Vsat		Mounting Vsat NPRM 1,8 Galvanized	200	Unit
18	2022	PT Indonesia Comnets Plus	Pengadaan Gantry Box	PLN	Gantry Box FET Icon+	13	Unit
19	2022	PT Indonesia Comnets Plus	Relokasi Kabel ADSS	PLN	Penarikan FOC ADSS Long Span	24	Lot
20	2022	PT Fiberhome Technology Indonesia	Pengadaan Harmonica Fence	Kominfo	Harmonica Fence Set 15 x 15	479	Set
21	2022	PT Fiberhome Technology Indonesia	Pengadaan ME Materials	Kominfo	ME Material For Type Tower, GMT & SST	492	Set
22	2022	PT Teknologi Inti Makmur	Pengadaan PLTS 54kwp	RS Dustira Cimahi	Pengadaan PLTS 54kwp	54	Kwp
23	2023	PT Indonesia Comnets Plus	Relokasi Kabel ADSS	PLN	Pengadaan Jasa Redrumming ADSS	49.413	m
24	2023	PT Karya Jasa Solusi	Rectifier Outdoor System	XL Axiata	Pengadaan Rectifier Outdoor System	246	Set
25	2023	PT Shandya Hara Gantari	Cabinet Battery		Pengadaan Cabinet Battery	25	Set
26	2023	KOPKARLA	Full Set OLT Cabinet	Aplikanusa Lintasarta	Pengadaan OLT Cabinet	9	Set
27	2024	KOPKARLA	Power System	Aplikanusa Lintasarta	Pengadaan Power System & Sparepart	11	Set
28	2024	PT Prasetya Dwidharma	Penarikan Kabel ADSS dan Material	ICON +	Penarikan Kabel ADSS Long Span dan Material	6	Lot
29	2025	PT Prasetya Dwidharma	Pekerjaan Implementasi Site 01JKB034 - KYAITAPA	Indosat OOREDOO	Pekerjaan Implementasi 01JKB034 - KYAITAPA	1	lot
30	2025	PT Prasetya Dwidharma	Pekerjaan Implementasi Site 12JKB0448 - IN_TRISAKTI_GEDUNGKIH_HS	Indosat OOREDOO	Pekerjaan Implementasi 12JKB0448 - IN_TRISAKTI_GEDUNGKIH_HSPT	1	lot
31	2025	PT Prasetya Dwidharma	Pekerjaan Implementasi Site N_UNTAR1_DH	Indosat OOREDOO	Pekerjaan Implementasi 12JKB0450 - N_UNTAR1_DHPT	1	lot
32	2025	PT Prasetya Dwidharma	Pekerjaan Implementasi Site 12JKB0474 - TAWAKAL_PL	Indosat OOREDOO	Pekerjaan Implementasi 12JKB0474 - TAWAKAL_PL	1	lot
33	2025	PT Prasetya Dwidharma	Pekerjaan Implementasi Site 12JKB0476 - IN_APT_GLORIA_TM	Indosat OOREDOO	Pekerjaan Implementasi 12JKB0476 - IN_APT_GLORIA_TM	1	lot
34	2025	PT Prasetya Dwidharma	Pekerjaan Implementasi Site 12JKB0490 - IN_KDOKTRN_USAKTI_TM	Indosat OOREDOO	Pekerjaan Implementasi 12JKB0490 - IN_KDOKTRN_USAKTI_TM	1	lot

